

ISN

ISOLIMITER

SINGLE PHASE 7.5 KVA - 100 KVA



AMETEK[®]
SOLIDSTATE CONTROLS

ISN

Single Phase Isolimiter

7.5 kVA - 100 kVA

The ISN Series Ferroresonant regulating transformers are housed in a single system enclosure. These units are designed to accept a widely varying AC input voltage, while simultaneously producing a well regulated, filtered AC output. ISN Series units have a unique characteristic of being short circuit protected so that overloads and short circuits on the secondary side are not reflected back to the primary.

- High reliability - Exceeds 160,000 hours (20 years) MTBF - useful life over 35 years
- Constructed with entirely passive magnetic components
- Low Audible Noise <65 dBA
- High Efficiency
- 1/4 cycle output ride-through
- Compatible with non-linear loads
- Industrial grade - built to operate in extreme environmental conditions
- For use with Inverter/UPS systems, or in stand alone operations



Model	kVA	Efficiency	AC Input Current*				Input Circuit Breaker Ampacity				AC Output Current*			Heat Loss BTU/Hr	Dimensions Inches (mm) H x W x D	Weight lbs (kg)
			120	220	380	480	120	220	380	480	120	220	240			
ISN1007	7.5	85%	86	47	27	22	125	60	35	30	62	34	31	4516	79 x 32 x 36 (2007 x 813 x 914)	740 (336)
ISN1010	10	88%	111	61	35	30	150	80	45	40	83	45	42	4653	79 x 32 x 36 (2007 x 813 x 914)	825 (374)
ISN1015	15	88%	167	91	53	42	225	125	70	60	125	68	62	6979	79 x 32 x 36 (2007 x 813 x 914)	950 (431)
ISN1020	20	89%	220	120	70	55	300	175	90	70	167	91	83	8434	79 x 32 x 36 (2007 x 813 x 914)	1235 (560)
ISN1025	25	89%	275	150	87	69	350	150	110	90	208	114	104	10543	79 x 32 x 36 (2007 x 813 x 914)	1390 (630)
ISN1030	30	90%	327	178	103	82	500	200	150	125	250	136	125	11373	79 x 32 x 36 (2007 x 813 x 914)	1645 (746)
ISN1037	37.5	91%	404	220	128	101	600	300	175	150	312	170	156	12654	79 x 32 x 36 (2007 x 813 x 914)	1800 (816)
ISN1050	50	91%	539	294	170	135	700	400	225	175	417	227	208	16873	79.5 x 32 x 36 (2019 x 813 x 914)	1965 (891)
ISN1075	75	88%	-----	456	264	209	-----	600	350	300	625	341	312	34895	79.5 x 54 x 36 (2019 x 1372 x 914)	3935 (1785)
ISN1100	100	90%	-----	594	344	272	-----	800	500	350	833	454	417	37911	79.5 x 32 x 36 (2019 x 813 x 914)	4750 (2155)

*At Nominal Line

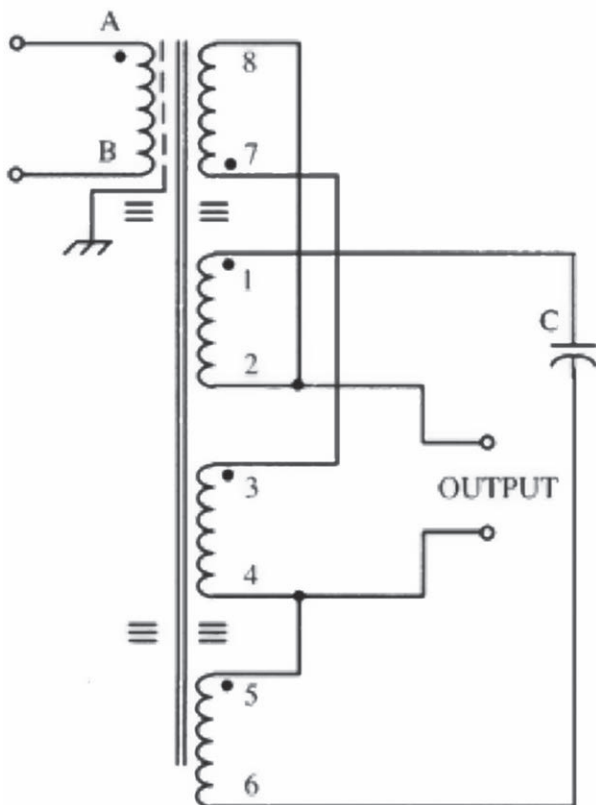
Certain optional features and/or combinations may require larger cabinets. Contact Factory. Image Shown with optional meters and breakers

General Specifications

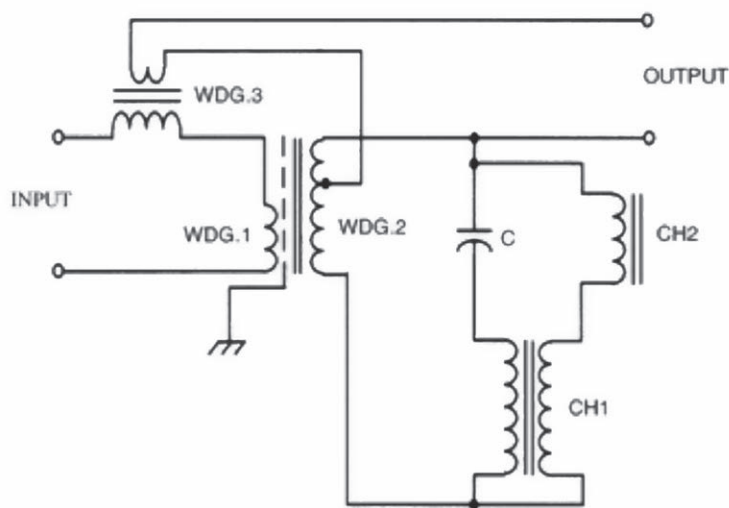
Isolimiter		Environmental	
AC Input		Ambient Temperature	0°C (32°F to 104°F)
Voltage	120, 220, 380, 480 1-phase	Relative Humidity	0-95% non-condensing
Range	- 15% to +10%	Operating Altitude	0 to 3000 meters (10,000 ft.)
Frequency*	60 Hz ±1%	Audible Noise:	65-72dB (A) @1.5m typical Addition of drip shield may increase the noise by 1-3dB (A)
		Cooling	Convection <37.5 kVA Forced Air > 50 kVA
AC Output			
Voltage	120, 220, 380, 480 VAC 1-Phase	Cable Entry	Top or Bottom
Regulation	+ 2%		
Frequency*	60	Efficiency	> 88% at full load
Load Power Factor	0.8 to 1.0	Standard Features	
Harmonic Distortion	5% (or less) THD	Circuit Breakers	AC Input
Overload	150% to 200% fault clearing	Indicators and Alarms**	Fan Failure (>50kVA)
Also available in 120/240 VAC 3-wire, 60 Hz and 600 VAC. Consult factory.		Optional Features	
*50Hz available, contact factory		Internal Manual Bypass Switch	3-Position; Make-Before-Break
**Alarms provide one SPDT contact rated for 3 Amps at 120 VAC		Circuit Breakers	AC Output
		Meters	Voltmeters, Ammeters, and Frequency Meter
		Indicators & Alarms**	Over Temperature, Low AC Output, High AC Output, AC Output Overload
Transformer			
Noise Attenuation	120dB common mode 80 dB transverse mode	Construction	All copper windings, electrostatic shield

Isolimiter Block Diagrams

< 50 kVA



> 75 kVA





THE PURPOSE OF OUR BUSINESS IS TO PROVIDE CONTINUITY OF ELECTRICAL POWER
TO KEEP BUSINESSES IN BUSINESS.

All Facilities are ISO 9001 Certified

World Headquarters

875 Dearborn Drive
Columbus, Ohio 43085
Phone: +1-614-846-7500
Toll Free: +1-800-635-7300
Fax: +1-614-885-3990

Mexico Headquarters

Camino a la Montaña 178-101
La Perla, Naucalpan Estado
de México
53340
Phone: (55) 55250-1232
Fax: (55) 5203-7981

Asia Pacific Headquarters

AMETEK Singapore Office
43 Changi South Ave. 2 #04-01
Singapore 486164
Phone: +65-6484-2388
Fax: +65-6481-6588

Brazil Headquarters

AMETEK do Brasil Ltda
Rod. Eng° Ermênio de Oliveira
Penteado
(SP75) - Km 57, Barrio Tombadouro
Indaiatuba - SP - Brasil, 13337-300
Phone: +55-16-2107-4100

Middle East Offices

Dubai
P.O.Box 337164
Office 2004 , X2 Building
Jumeirah Lakes Towers JLT
Dubai – UAE
Phone: +971544300331

Saudi Arabia

King Khalid Street, ATCO Building
Dammam, Saudi Arabia
Phone: +966 13 833 2339 ext. 654
Direct: +966 830 5482
Cell: +966 55 888 7860

India Headquarters

AMETEK Instruments India
Private Limited
Plot 148, EPIP Zone Phase 2
Featherlite Tech Park, 1st Floor
Whitefield, Bangalore - 560066
Karnataka, INDIA
Phone: +91 70222 53258
Fax: +91 80 6782 3232

Argentina Headquarters

Olive 1954
Rosario 2000 – Sta Fe, Argentina
Phone: +54 341 455 3332

REV 1-12-2017

VISIT OUR WEBSITES:

English: www.solidstatecontrolsinc.com

Nuclear: www.nuclearups.com

Spanish: www.solidstatecontrolsinc-esp.com

Russian: www.solidstatecontrolsinc-ru.com

Chinese: www.solidstatecontrolsinc-chn.com

Brazilian Portuguese: www.solidstatecontrolsinc-bz.com